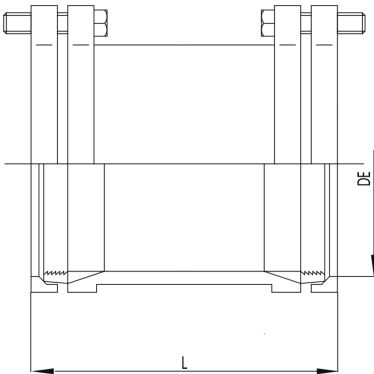


5T0200

Coupling cast iron fitting with flanges for PE pipe.

NEW

Technical specifications



Ø TUBI DE - Ø PIPE DE	BOX	CODE	L	KG
110	1	5T0200110	212	8,7
125	1	5T0200125	210	8,6
75	1	5T02007	185	5,00
90	1	5T020090	206	6,2

Applications



DRINKING
WATER



GAS