

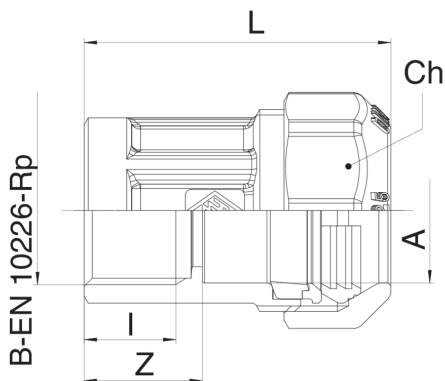
## 570100

Straight female fitting with fastening ring made in brass.



**NEW**

### Technical specifications



A x B	BOX	MASTER BOX	CODE	I	CH	L	Z
20 x 1/2"	30	120	5701002004	15	34	47	19,5
25 x 1/2" <sup>2</sup>	25	100	5701002504	15	41	56	17
25 x 3/4"	20	80	5701002505	16,3	41	55,5	21
32 x 3/4" <sup>2</sup>	20	80	5701003205	16,3	51	61	18,5
32 x 1"	16	64	5701003206	19,1	51	62	24,5
40 x 1" <sup>2</sup>	10	40	5701004006	19,1	59	72	22
40 x 1"1/4	10	40	5701004007	21,4	59	73	27,5
50 x 1"1/4 <sup>2</sup>	6	24	5701005007	21,4	70	81	25
50 x 1"1/2	6	24	5701005008	21,4	70	76	29,5
63 x 2"	8	16	5701006310	25,7	87	85	33,5
75 <sup>1</sup> x 2"1/2	1	4	5701007512	25	-	90	30
90 <sup>1</sup> x 3"	1	4	5701009014	26	-	105	32
110 x 4" <sup>1</sup>	1	2	57010011018	30	-	115	37

<sup>1</sup> With flange.

<sup>2</sup> Reduced.

# Applications



DRINKING  
WATER



GAS