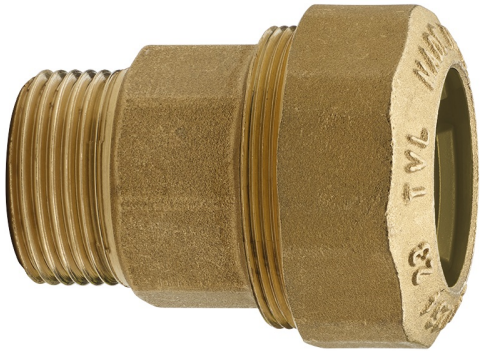


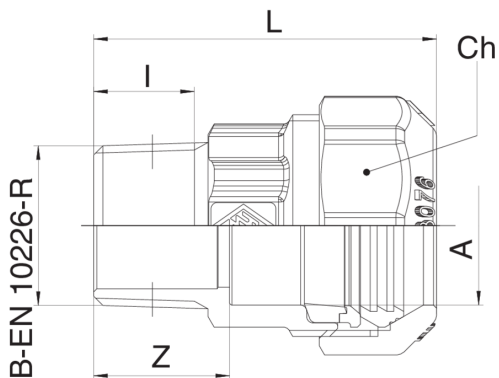
## 570000

Straight male fitting with fastening ring made in brass.



**NEW**

### Technical specifications



A X B	BOX	MASTER BOX	CODE	I	CH	L	Z
20 x 1/2"	30	120	5700002004	12,5	34	47	19,5
25 x 1/2" <sup>2</sup>	30	120	5700002504	12,5	41	56	20,5
25 x 3/4"	30	120	5700002505	13,5	41	55,5	22
32 x 3/4" <sup>2</sup>	20	80	5700003205	13,5	51	62	22
32 x 1"	16	64	5700003206	15,7	51	62	25,5
32 x 1" 1/4	12	48	5700003207	18,2	51	65,5	25,5
40 x 1" <sup>2</sup>	12	48	5700004006	15,7	59	72,5	25,5
40 x 1" 1/4	10	40	5700004007	18,2	59	73	28
50 x 1" 1/4" <sup>2</sup>	6	24	5700005007	18,2	70	82	28
50 x 1" 1/2	6	24	5700005008	19,1	70	81,5	30
63 x 2"	6	12	5700006310	22,5	87	94	35
75 x 2" 1/2" <sup>1</sup>	1	4	5700007512	22	-	93	35
90 x 3"	1	4	5700009014	24	-	101	38
110 x 4" <sup>1</sup>	1	2	57000011018	29	-	147	38

<sup>1</sup> With flange.

<sup>2</sup> Reduced.

# Applications



DRINKING  
WATER



GAS