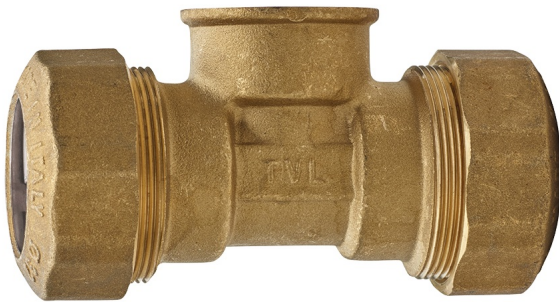


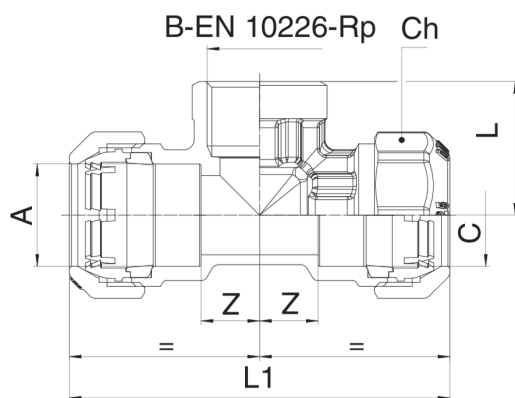
563100

Female T fitting with fastening ring made in POM.



NEW

Technical specifications



A x B x C	BOX	MASTER BOX	CODE	I	CH	L	L1	Z
A x B x 20	15	60	563100200420	15	34	29,5	79	12
A x B x 25	10	40	563100250525	16,3	41	34	96	15
A x B x 32	6	24	563100320632	19,1	51	39,5	112	17,5
A x B x 40	4	16	563100400740	21,4	59	48	142	23
A x B x 50	2	8	563100500850	21,4	70	60	159	28,5
A x B x 63	2	4	563100631063	25,7	87	73	193	36
A x B x 75 ^{1,2}	1	2	573100751275	29	-	75	226	40
A x B x 90 ^{1,2}	-	1	573100901490	32	-	75	259	43
A x B x 110 ^{1,2}	-	1	57310011018110	35	-	100	280	46

¹ With flange.

² Art. 573100.

Applications



DRINKING WATER



GAS