

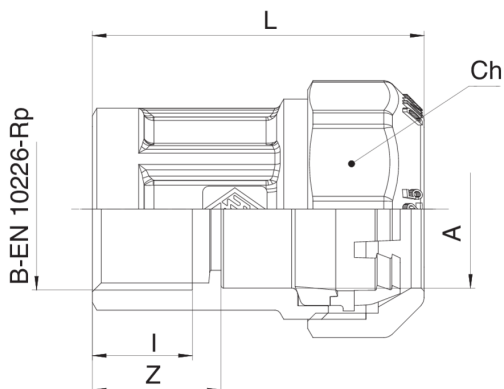
560100

Straight female fitting with fastening ring made in POM.



NEW

Technical specifications



A x B	BOX	MASTER BOX	CODE	I	CH	L	Z
20 x 1/2"	30	120	5601002004	15	34	47	19,5
25 x 1/2" ²	25	100	5601002504	15	41	56	17
25 x 3/4"	20	80	5601002505	16,3	41	55,5	21
32 x 3/4" ²	20	80	5601003205	16,3	51	61	18,5
32 x 1"	16	64	5601003206	19,1	51	62	24,5
40 x 1" ²	10	40	5601004006	19,1	59	72	22
40 x 1"1/4	10	40	5601004007	21,4	59	73	27,5
50 x 1"1/4 ²	6	24	5601005007	21,4	70	81	25
50 x 1"1/2	6	24	5601005008	21,4	70	76	29,5
63 x 2"	8	16	5601006310	25,7	87	85	33,5
75 x 2"1/2 ¹	1	4	5601007512	25	-	90	30
90 x 3" ¹	1	4	5601009014	26	-	105	32
110 x 4" ^{1 3}	1	2	57010011018	30	-	115	37

¹ With flange. - ² Reduced.

³ Art. 570100.

Applications



DRINKING
WATER



GAS