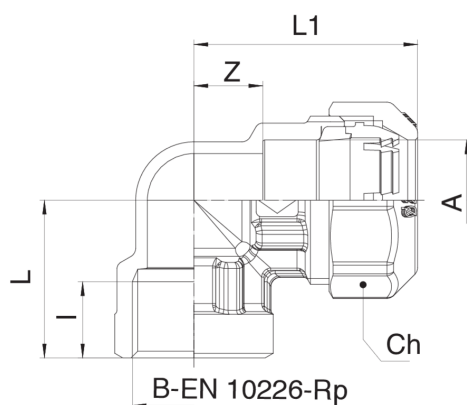


581100

Female elbow with patented quick connection.

NEW

Technical specifications



A X B	BOX	MASTER BOX	CODE	I	CH	L	L1	Z
20 x 1/2"	20	80	5811002004	15	34	42,5	33,5	12
25 x 1/2"	15	60	5811002504	16	41	42,5	33,5	15
25 x 3/4"	15	60	5811002505	16,3	41	51	39,25	17,5
32 x 1"	10	40	5811003206	19,1	51	58	47	18
32 x 3/4"	10	40	5811003205	16,3	51	58	44	18
40 x 1"1/4	4	16	5811004007	21,4	59	73,5	56,5	23
50 x 1"1/2	2	8	5811005008	21,4	70	84,5	62,5	28,5
63 x 2"	5	10	5811006310	25,7	87	100	76	36

Applications



DRINKING
WATER



GAS