

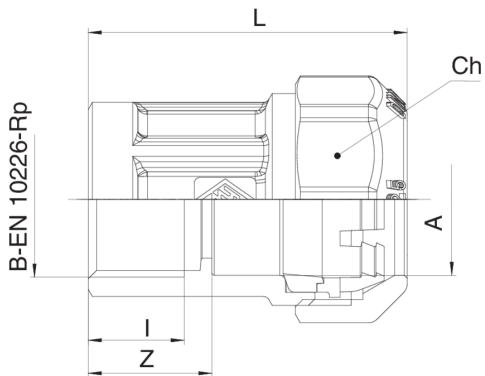
580100

Straight female fitting with patented quick connection.



NEW

Technical specifications



A X B	BOX	MASTER BOX	CODE	I	CH	L	Z
20 x 1/2"	30	120	5801002004	15	34	47	19,5
25 x 1/2" ¹	25	100	5801002504	15	41	56	20,5
25 x 3/4"	20	80	5801002505	16,3	41	55,5	22
32 x 1"	16	64	5801003206	19,1	51	62	22
32 x 3/4" ¹	20	80	5801003205	16,3	51	61	22
40 x 1" ¹	10	40	5801004006	19,1	59	72	25,5
40 x 1"1/4	10	40	5801004007	21,4	59	73	25,5
50 x 1"1/4 ¹	6	24	5801005007	21,4	70	81	25,5
63 x 2"	8	16	5801006310	25,7	87	85	28

¹ Reduced.

Applications

