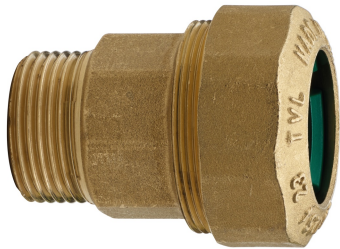


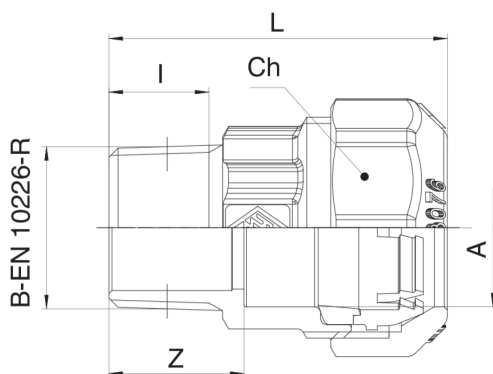
## 580000

Straight male fitting with patented quick connection.



**NEW**

### Technical specifications



A X B	BOX	MASTER BOX	CODE	I	CH	L	Z
20 x 1/2"	30	120	5800002004	12,5	34	48	19,5
25 x 1/2" <sup>1</sup>	30	120	5800002504	12,5	41	56	20,5
25 x 3/4"	30	120	5800002505	13,5	41	55,5	22
25 x 1"	20	80	5800002506	15,7	41	58,5	22
32 x 1"	16	64	5800003206	15,7	51	62	25,5
32 x 1"1/4	12	48	5800003207	18,2	51	65,5	25,5
32 x 3/4" <sup>1</sup>	20	80	5800003205	13,5	51	62	22
40 x 1"1	12	48	5800004006	15,7	59	72,5	25,5
40 x 1"1/4	10	40	5800004007	18,2	59	73	28
50 x 1"1/4 <sup>1</sup>	6	24	5800005007	18,2	70	82	28
50 x 1"1/2	6	24	5800005008	19,1	70	81,5	30
63 x 2"	6	12	5800006310	22,5	87	94	35

<sup>1</sup> Reduced.

### Applications



DRINKING  
WATER



GAS

