

507300

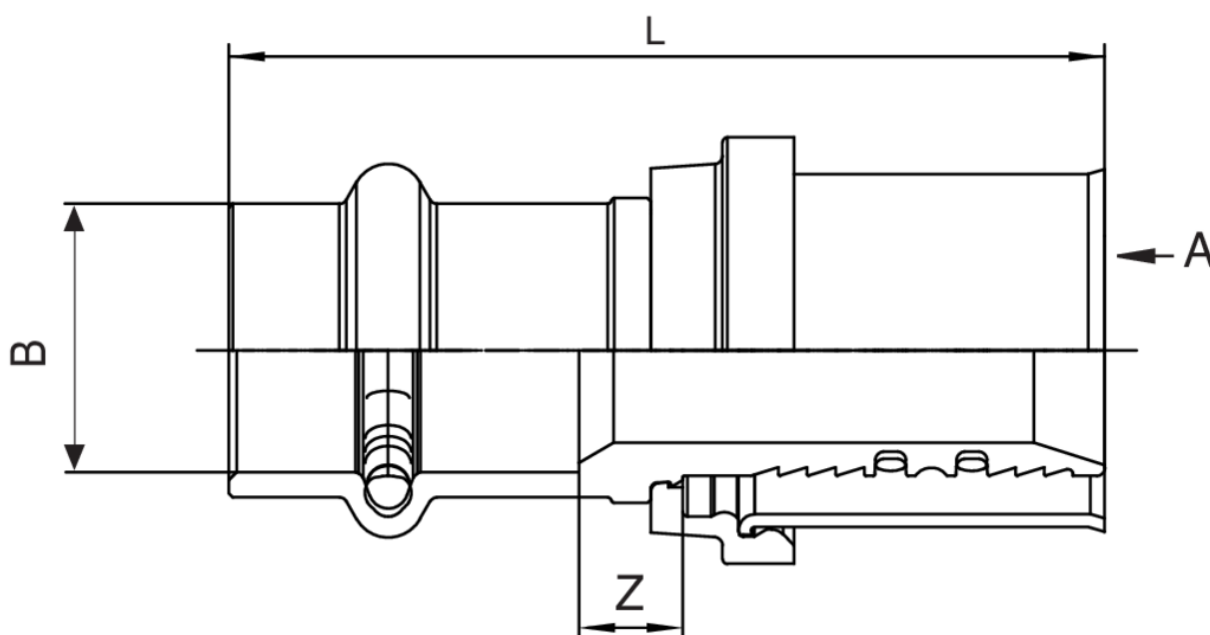
PATENTED

Connection fitting multilayer/copper.

NEW



Technical specifications



A X B	SP	BAG	BOX	MASTER BOX	CODE	L	Z
16 x 14	2	5	20	80	5073001614	54	5,5
16 x 15	2	5	20	80	5073001615	55	6,5
16 x 16	2	5	20	80	5073001616	54,5	6
16 x 18	2	5	20	80	5073001618	56	6,5
20 x 15	2	5	20	80	5073002015	55	6,5
20 x 16	2	5	20	80	5073002016	52,5	4
20 x 16	2	5	20	80	5073002018	55	5,5
20 x 22	2	5	20	80	5073002022	56	6,5
26 x 22	3	5	20	80	5073002622	61,5	6,5

Applications



DRINKING WATER



HEATING



HVAC



COMPRESSED AIR



INDUSTRIAL



MARINE