

## BUBBLE-SFER

### 6803

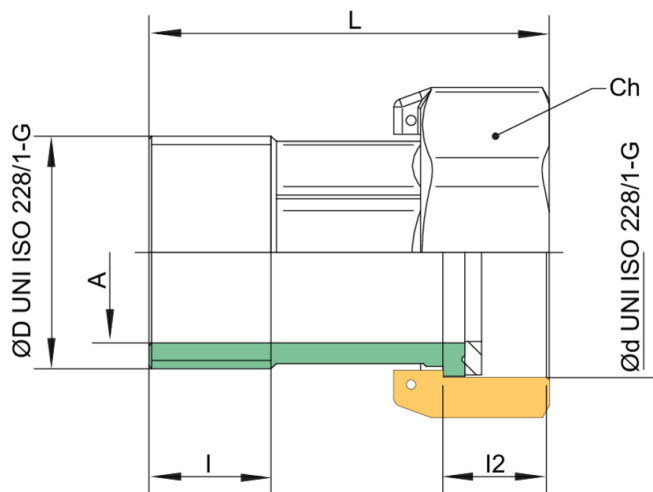
Water meter connector.



**NEW**



## Technical specifications



ØD X ØD	BOX	CODE	A	I	L	I2	CH
1/2" x 3/4"	20	6803260002	15	12	45,5	12	29
1" x 1"1/4	10	6803290002	25,5	17	61	17	46
1"1/4 x 1"1/2	10	6803590002	32,5	20,5	72	20,5	53
1"1/2 x 2"	10	6803690002	38,5	21,5	81	21,5	66
2" x 2"1/2	2	6803700002	50	27	92	27	85
3/4" x 1"	20	6803580002	20	16	57,5	16	36

# Applications

---



DRINKING  
WATER



MULTIUTILITY ONLY