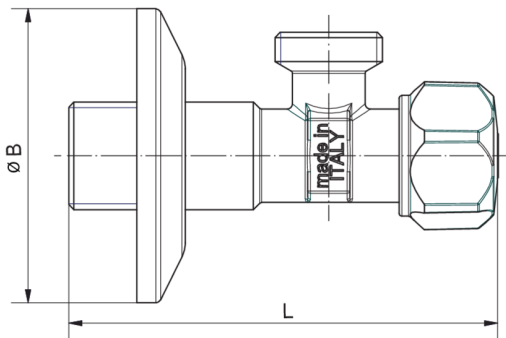


4947

Screw polished chrome-plated angle valve with nut.

NEW

Technical specifications



ØP	L	ØB	KV	PN	KG
8	85	56	4,3	10	0,14

Applications



DRINKING
WATER



HEATING



HVAC



COMPRESSED
AIR



INDUSTRIAL



MARINE