

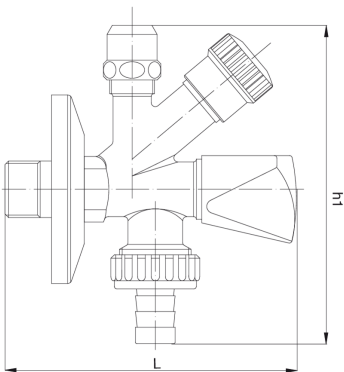


4946

Polished chrome-plated angle and washing-machine bibcock.

NEW

Technical specifications



ØP	L	H1	KV	PN	KG
8	105	116,5	4,3	10	0,312

Applications



DRINKING
WATER



HEATING



HVAC



COMPRESSED
AIR



INDUSTRIAL



MARINE