

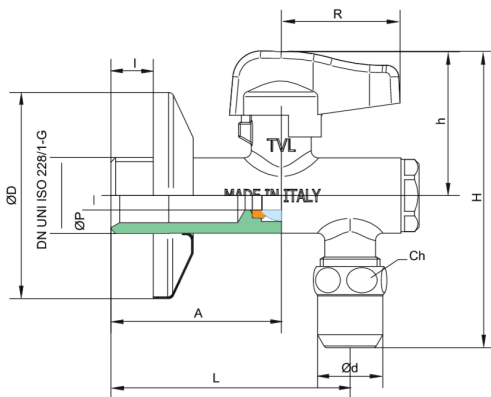
4945

Polished chrome-plated angle ball valve with filter and 90° fixed connection, metal lever.



NEW

Technical specifications



ØP	A	ØD	I	L	D	R	H	KV	PN	KG
8	47	10	11	66	57	35	82	4,3	10	0,216

Applications



DRINKING
WATER



HEATING



HVAC



COMPRESSED
AIR



INDUSTRIAL



MARINE