

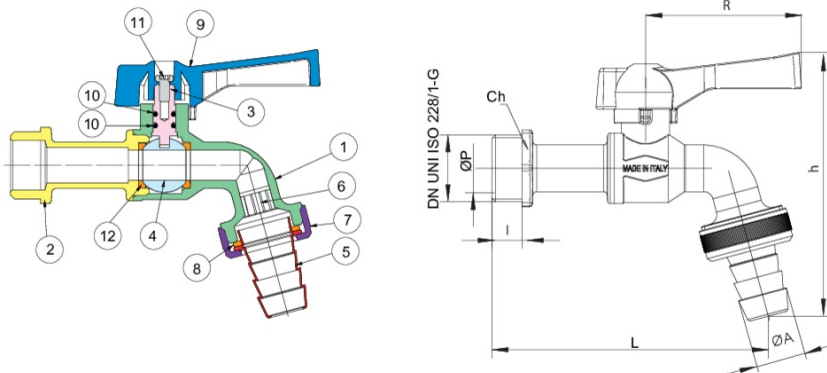


49T4

Hose ball bib-cock with hose tail connection and aluminium handle.

NEW

Technical specifications



POSITION	PART NAME	MATERIAL	N.° PIECES
1	BODY	BRASS CW617N UNI EN 12165	1
2	END CONNECTION	BRASS CW617N UNI EN 12166	1
3	STEM	BRASS CW614N UNI EN 12164	1
4	BALL	BRASS CW614N UNI EN 12164	1
5	HOSE TAIL	BRASS CW617N UNI EN 12165	1
6	SPRAY NOZZLE	HDI	1
7	NUT	BRASS CW614N UNI EN 12164	1
8	FLAT SEAT	EPDM	1
9	HANDLE	ALUMINIUM EN-AC 46100 EN 1706	1
10	O-RING	NBR	2
11	NUT	STEEL CL 4.8	1
12	BALL SEAT	PTFE	2

SIZE	DN	BOX	MASTER BOX	CODE	ØP	I	CH	ØA	L	H	R	PN	KG
3/8"	10	12	48	49T4030000	10	11,5	24	14	96	96	63	30	0,23
1/2"	15	12	48	49T4040000	10	11,5	24	14	100	96	63	30	0,25
3/4"	20	8	32	49T4050000	12	12	30	20	115	108	63	30	0,34
1"	25	8	32	49T4060000	15	14	37	26	135	125	63	30	0,51

Temperature range: -10°C +100°C.

Applications



DRINKING WATER



HEATING



HVAC



COMPRESSED AIR



INDUSTRIAL



MARINE