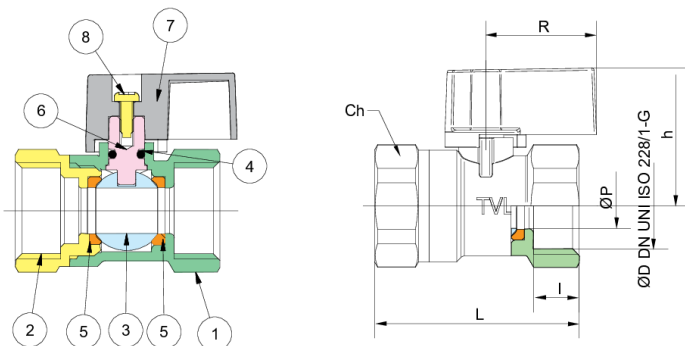


3840

Ball valve, F/F threaded, sandblasted and chrome plated, with handle.

NEW

Technical specifications



POSITION	PART NAME	MATERIAL	N.° PIECES
1	BODY	BRASS CW617N UNI EN 12165	1
2	END CONNECTION	BRASS CW614N UNI EN 12164	1
3	BALL	BRASS CW614N UNI EN 12164	1
4	STEM	BRASS CW614N UNI EN 12164	1
5	O-RING	NBR	-
6	BALL SEAT	PTFE	2
7	HANDLE	PA 6.6	1
8	SCREW	BRASS CW614N UNI EN 12164	1

ØP	I	L	H	R	CH	KV	PN	KG
8	10	41	29	24,3	19	4,3	20	0,078
8	10	41	29	24,3	19	4,3	20	0,064
10	10	45	30	24,3	25	2,7	20	0,102

Temperature range: -10°C +90°C.

Applications



