

JUNIOR-SFER

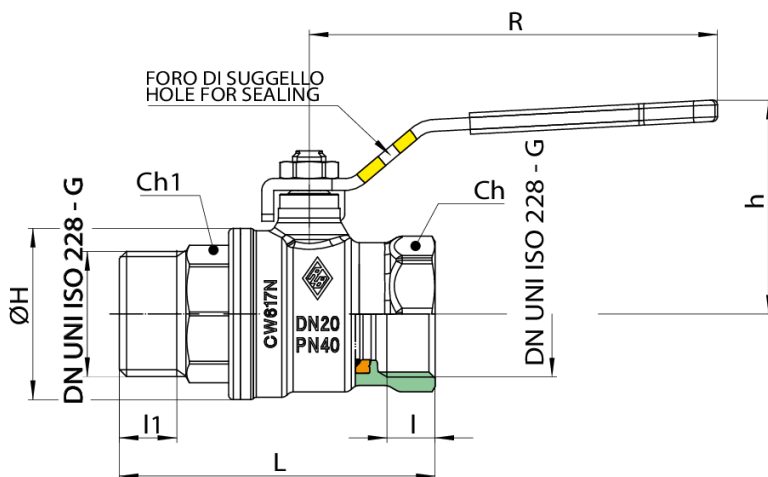
1311

Full bore ball valve, M/F threaded, with steel handle.



NEW

Technical specifications



SIZE	DN	BOX	MASTER BOX	CODE	I	L	ØH	CH	R	H	KV	PN	KG
1/2"	15	20	80	1311040000	11	46,5	28,5	25	86	42	16,3	40	0,14
3/4"	20	10	40	1311050000	12	53	36	31	86	45	29,5	40	0,22
1"	25	10	20	1311060000	14	63,5	43,5	37,5	106	54	43	40	0,37
1"1/4	32	6	12	1311070000	16	76	53	47	106	59	89	25	0,52
1"1/2	40	4	8	1311080000	17,5	90	67,5	53	126	73	221	25	0,93
2"	50	2	4	1311100000	19	103	80	65	126	78	265	25	1,33

Temperature range: -20°C + 160°C.

Applications



DRINKING
WATER



HEATING



HVAC



COMPRESSED
AIR



INDUSTRIAL



MARINE