

JUNIOR-SFER

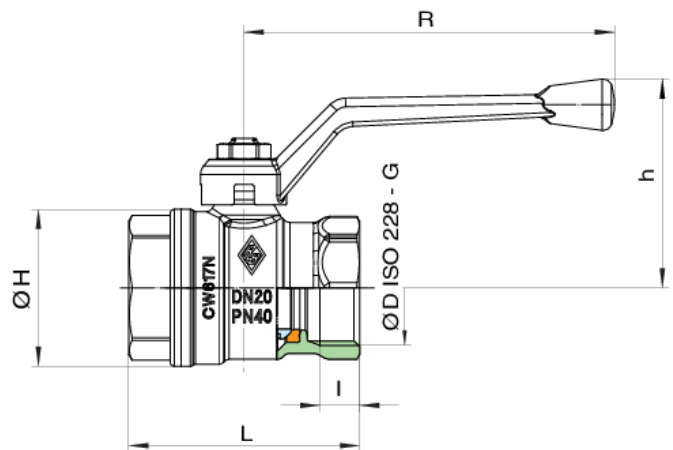
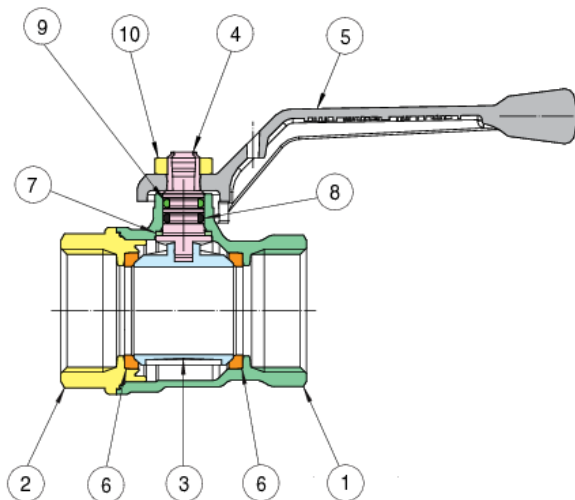
1300

Full bore ball valve, F/F threaded, with aluminium handle.



NEW

Technical specifications



POSITION	PART NAME	MATERIAL	N.° PIECES
1	BODY	BRASS CW617N UNI EN 12420	1
2	END CONNECTION	BRASS CW617N UNI EN 12420	1
3	BALL	BRASS CW617N-DW UNI EN 12420	1
4	STEM	BRASS CW 614N UNI EN 12164 -UNI EN 12168	1
5	HANDLE	ALUMINIUM EN-AC 46100 EN 1706	1
6	BALL SEAT	PTFE	2
7	ANTIFRICTION SEAT	PTFE	1
8	O-RING	NBR	2
9	O-RING	FKM	2
10	NUT	STEEL CL 04	1

SIZE	DN	BOX	MASTER BOX	CODE	I	CH	ØH	L	H	R	KV	PN	KG
1/2"	15	20	80	1300040000	11	25	28,5	46,5	45	85	16,3	40	0,14
3/4"	20	10	40	1300050000	12	31	36	53	48	85	29,5	40	0,21
1"	25	10	20	1300060000	14	37,5	43,5	63,5	57	105	43	40	0,35
1"1/4	32	6	12	1300070000	16	47	53	76	62	105	89	25	0,50
1"1/2	40	4	8	1300080000	17,5	53	67,5	90	82	130	221	25	0,89
2"	50	2	4	1300100000	19	65	80	103	87	130	265	25	1,30

Temperature range: -20°C + 160°C.

Applications



DRINKING
WATER



HEATING



HVAC



COMPRESSED
AIR



INDUSTRIAL



MARINE