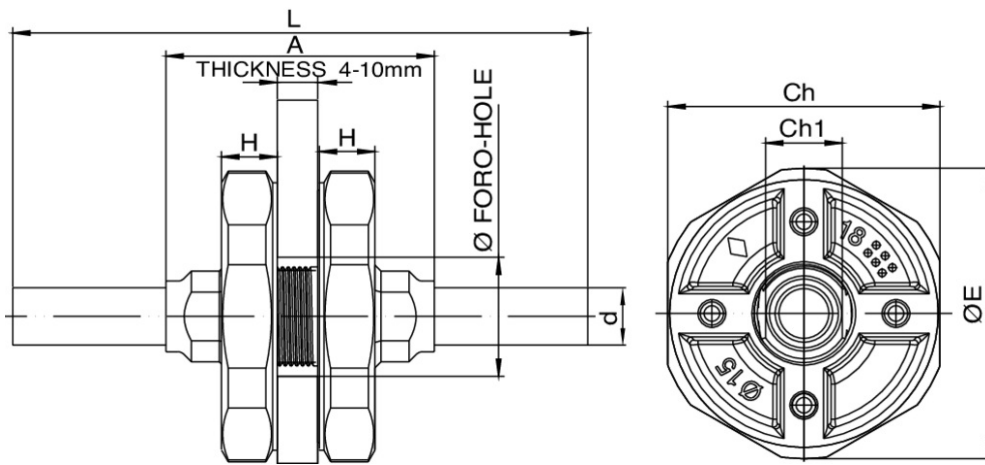


Deck/bulkhead watertight and fireproof pipe penetration class A30/60.

## Technical specifications



D	MASTER BOX	CODE	A	ØE	CH	CH1	H	L	PN	Ø HOLE
76	2	AX0381076076000	84	148	139	82	19	805	16	91
88	2	AX0381089089000	86	161	152	95	20	820	16	104
108	2	AX0381108108000	88	180	171	114	21	850	16	123

For the insulation, please refer to technical manual or contact our sales department.

## Applications

