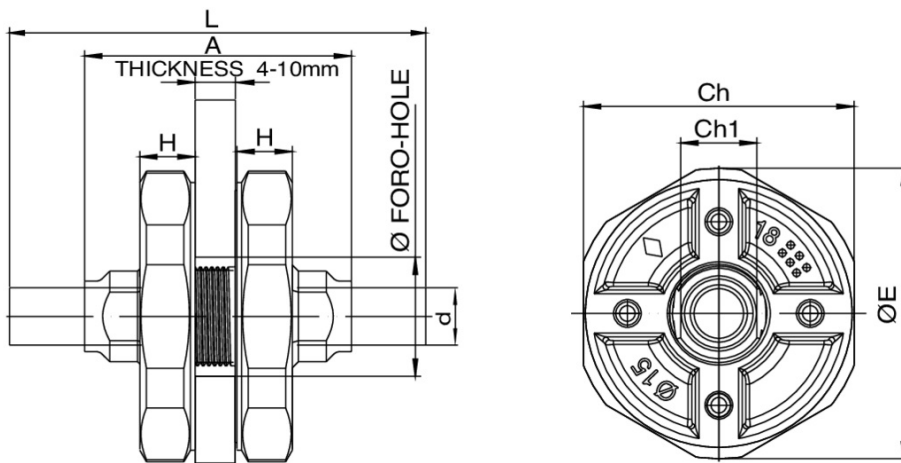


Deck/bulkhead watertight and fireproof pipe penetration class A0.

Technical specifications



D	BOX	MASTER BOX	CODE	A	ØE	CH	CH1	H	L	PN	Ø HOLE
15	2	12	MX0380015015000	70	76	71	20	14,5	150	16	29
22	2	12	MX0380022022000	75	84	79	26,5	15	155	16	36
28	1	4	MX0380028028000	77	93	87	33	15,5	160	16	42
35	1	4	MX0380035035000	80	100	94	40	16	170	16	49
42	1	4	MX0380042042000	81	108	101	47	16,5	175	16	56
54	1	2	MX0380054054000	82	126	117	60	18	190	16	69

For the insulation, please refer to technical manual or contact our sales department.

Applications

