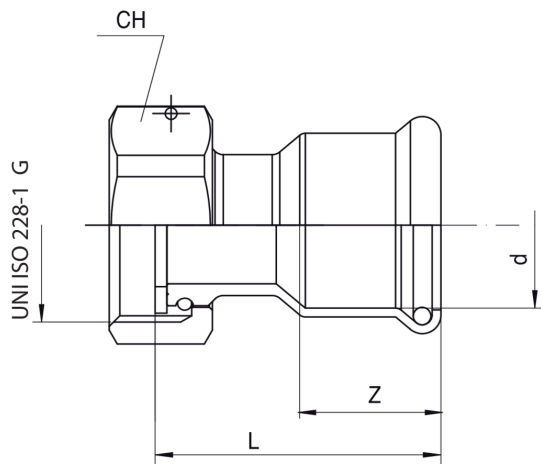


Valve connector with a swivel nut in inox.

**NEW**



## Technical specifications



D X G	BAG	MASTER BOX	CODE	CH	L	Z
15 x 3/4"	10	200	MXF358A34015000	30	31,5	19
18 x 3/4"	10	200	MXF358A34018000	30	31,5	19,5
22 x 1"	5	120	MXF358B01022000	37	29	21
28 x 1 1/4"	5	100	MXF358B14028000	47	34,5	22

## Applications

