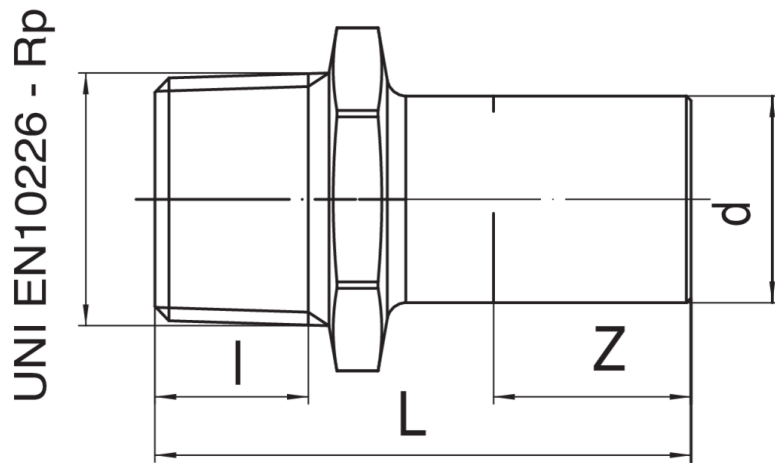


Male adaptor - male thread.

**NEW**

### Technical specifications



D X RP	BAG	MASTER BOX	CODE	L	Z	L
15 x 1/2"	10	300	MXF244A12015000	52	19	15
18 x 1/2"	10	250	MXF244A12018000	52	19,5	15
18 x 3/4"	10	200	MXF244A34018000	56	19,5	16,3
22 x 1/2"	5	150	MXF244A12022000	53,5	21	15
22 x 3/4"	5	150	MXF244A34022000	57	21	16,3
28 x 3/4"	5	150	MXF244A34028000	57	22	16,3

### Applications



DRINKING  
WATER



HEATING



HVAC



COMPRESSED  
AIR



FIREFIGHTING



MARINE



STEAM



SOLAR



INDUSTRIAL