

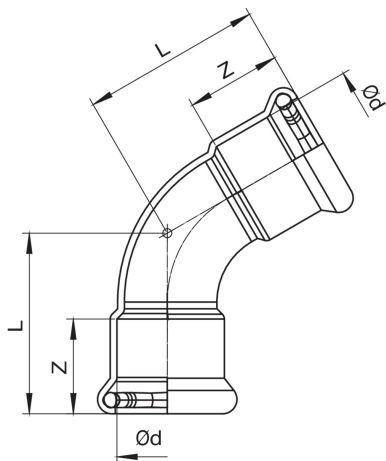


F/F 60° elbow.

NEW



## Technical specifications



| D  | BAG | MASTER BOX | CODE            | L     | Z    |
|----|-----|------------|-----------------|-------|------|
| 15 | 10  | 250        | MX0049015015000 | 34    | 19   |
| 18 | 10  | 250        | MX0049018018000 | 36    | 19,5 |
| 22 | 5   | 120        | MX0049022022000 | 42,5  | 21   |
| 28 | 5   | 60         | MX0049028028000 | 46,5  | 22   |
| 35 | 5   | 50         | MX0049035035000 | 69    | 27   |
| 42 | 2   | 24         | MX0049042042000 | 88,5  | 30   |
| 54 | 2   | 16         | MX0049054054000 | 112,5 | 35   |

## Applications



DRINKING  
WATER



HEATING



HVAC



COMPRESSED  
AIR



FIREFIGHTING



MARINE



STEAM



SOLAR



INDUSTRIAL