

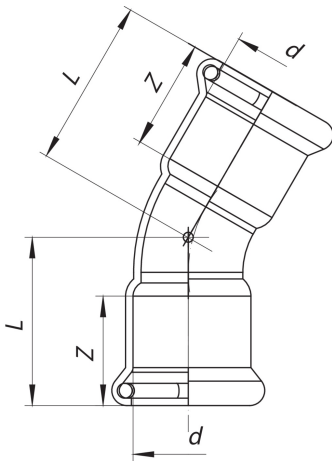


F/F 30° elbow.

NEW



Technical specifications



D	BAG	MASTER BOX	CODE	L	Z
76,1	1	6	AX0047076076000	90,5	54
88,9	1	3	AX0047089089000	101,5	61
108	1	2	AX0047108108000	131,4	76

Applications



DRINKING
WATER



HEATING



HVAC



COMPRESSED
AIR



FIREFIGHTING



MARINE



STEAM



SOLAR



INDUSTRIAL