

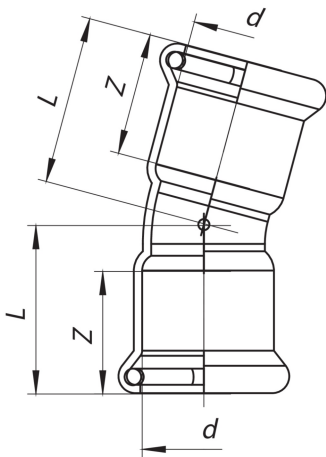


F/F 15° elbow.

NEW



Technical specifications



D	BAG	MASTER BOX	CODE	L	Z
76,1	1	6	AX0043076076000	77,5	54
88,9	1	6	AX0043089089000	86	61
108	1	3	AX0043108108000	109,3	76

Applications

