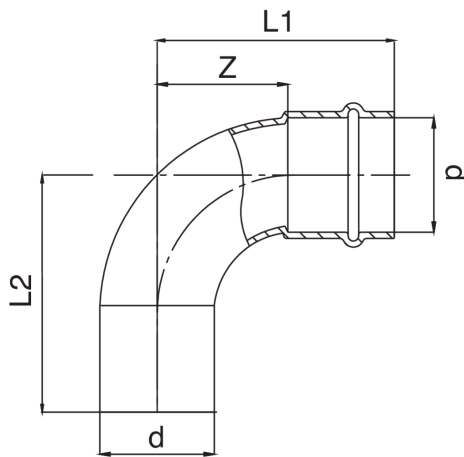




Technical specifications



D	BAG	MASTER BOX	CODE	L1	L2	Z
15	10	100	ZX0001015015000	40	42	18
18	10	100	ZX0001018018000	45	47	22
22	10	70	ZX0001022022000	51	53	27
28	5	40	ZX0001028028000	59	61	34
35	5	25	ZX0001035035000	68	70	42
42	1	10	ZX0001042042000	87	89	51
54	1	4	ZX0001054054000	105	107	65

Applications



DRINKING
WATER



HEATING



HVAC



COMPRESSED
AIR



FIREFIGHTING



MARINE



STEAM



SOLAR



INDUSTRIAL