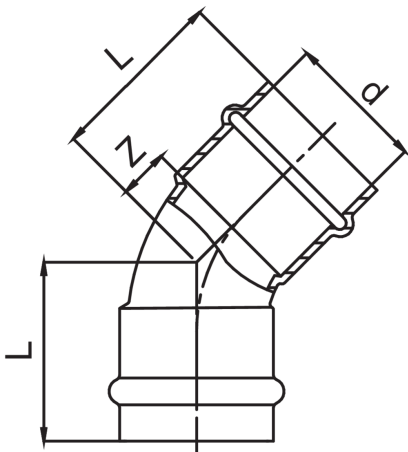




Copper F/F 45° elbow.



Technical specifications



D	BAG	MASTER BOX	CODE	L	Z
12	10	250	RS9041012012000	25	7
15	10	200	RS9041015015000	29	7
18	10	150	RS9041018018000	31	8
22	10	80	RS9041022022000	34	10
28	5	60	RS9041028028000	38	13
35	5	40	RS9041035035000	43	17
42	5	20	RS9041042042000	53	17
54	1	10	RS9041054054000	68	28

Applications



DRINKING
WATER



HEATING



HVAC



GAS



COMPRESSED
AIR



FIREFIGHTING