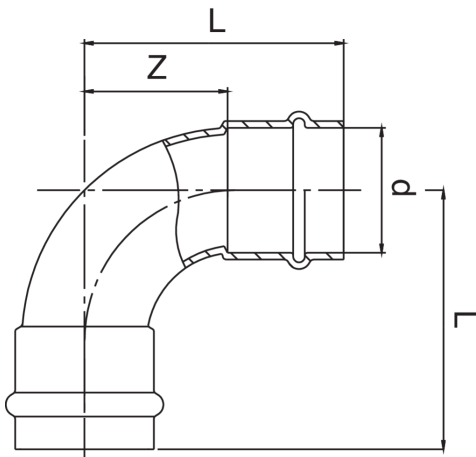


Copper F/F 90° elbow.



## Technical specifications



D	BAG	MASTER BOX	CODE	L	Z
12	10	250	RS9002012012000	33	15
15	10	150	RS9002015015000	40	18
18	10	100	RS9002018018000	45	22
22	10	60	RS9002022022000	47	23
28	5	40	RS9002028028000	59	34
35	5	30	RS9002035035000	68	42
42	1	10	RS9002042042000	87	51
54	1	7	RS9002054054000	105	65

## Applications



DRINKING  
WATER



HEATING



HVAC



GAS



COMPRESSED  
AIR



FIREFIGHTING