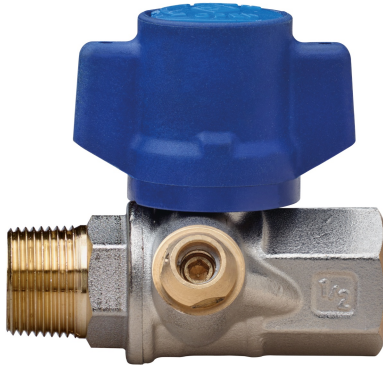


## 2091 QB

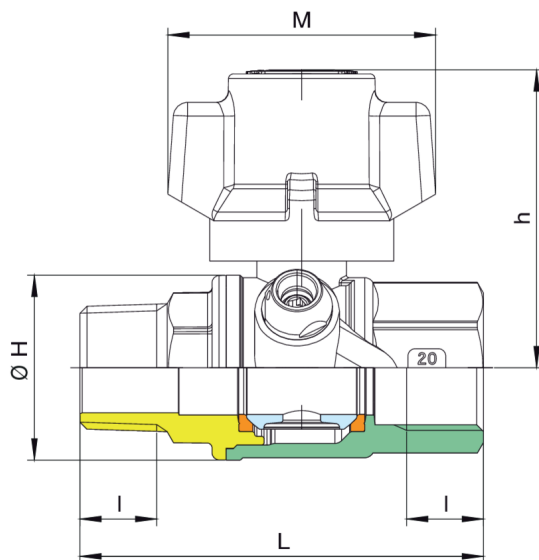


Full bore ball valve for water meter entry, M/F threaded, unidirectional, with anti-tampering T-handle and **heptagonal-shaped stainless steel security nut**, with minimum vital water flow device and ball with automatic rinsing system.

**NEW**



### Technical specifications



| SIZE | DN | BOX | MASTER BOX | CODE        | MINIMUM VITAL (L/GG) | ØP | I    | L    | ØH | CH | M  | A    | H    | KV   | PN | KG   |
|------|----|-----|------------|-------------|----------------------|----|------|------|----|----|----|------|------|------|----|------|
| 1/2" | 15 | 15  | 60         | 2091040151* | 150                  | 15 | 15   | 75   | 33 | 27 | 57 | 38,5 | 55,5 | 16   | 64 | 0,33 |
| 1/2" | 15 | 15  | 60         | 2091040301* | 300                  | 15 | 15   | 75   | 33 | 27 | 57 | 38,5 | 55,5 | 16   | 64 | 0,33 |
| 1/2" | 15 | 15  | 60         | 2091040601* | 600                  | 15 | 15   | 75   | 33 | 27 | 57 | 38,5 | 55,5 | 16   | 64 | 0,33 |
| 3/4" | 20 | 10  | 40         | 2091050151* | 150                  | 20 | 16,3 | 88,5 | 39 | 32 | 57 | 40,5 | 63   | 29   | 64 | 0,46 |
| 3/4" | 20 | 10  | 40         | 2091050301* | 300                  | 20 | 16,3 | 88,5 | 39 | 32 | 57 | 40,5 | 63   | 29   | 64 | 0,46 |
| 3/4" | 20 | 10  | 40         | 2091050601* | 600                  | 20 | 16,3 | 88,5 | 39 | 32 | 57 | 40,5 | 63   | 29   | 64 | 0,46 |
| 1"   | 25 | 10  | 20         | 2091060151* | 150                  | 25 | 19,1 | 96,5 | 49 | 38 | 57 | 43,5 | 66,5 | 42,5 | 64 | 0,65 |
| 1"   | 25 | 10  | 20         | 2091060301* | 300                  | 25 | 19,1 | 96,5 | 49 | 38 | 57 | 43,5 | 66,5 | 42,5 | 64 | 0,65 |
| 1"   | 25 | 10  | 20         | 2091060601* | 600                  | 25 | 19,1 | 96,5 | 49 | 38 | 57 | 43,5 | 66,5 | 42,5 | 64 | 0,65 |

\*Version with heptagonal-shaped stainless steel security nut.

## Applications



DRINKING  
WATER



MULTIUTILITY ONLY