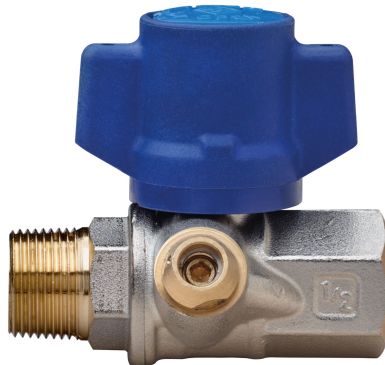


2091 QB

PATENTED

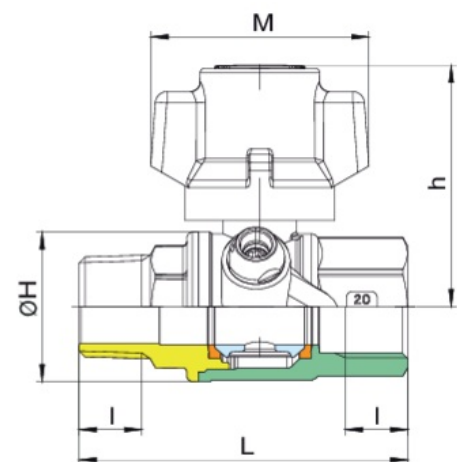
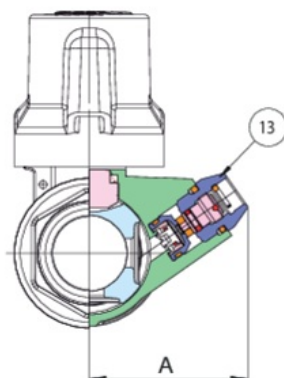
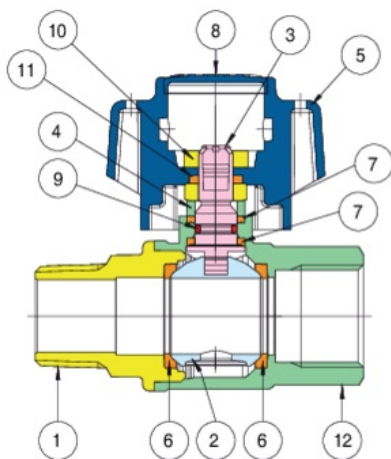


Full bore ball valve for water meter entry, M/F threaded, unidirectional, with anti-tampering T-handle, **with minimum vital water flow device** and ball with automatic rinsing system.

NEW



Technical specifications



POSITION	PART NAME	MATERIAL	N.° PIECES
1	BODY	BRASS CW617N UNI EN 12420	1
2	END CONNECTION	BRASS CW617N UNI EN 12420	1
3	BALL	BRASS CW617N UNI EN 12420	1
4	STEM	BRASS CW 614N UNI EN 12164 -UNI EN 12168	1
5	PACKING GLAND	BRASS CW 614N UNI EN 12164 -UNI EN 12168	1
6	T-HANDLE	PAmxD6	1
7	BALL SEAT	PTFE	2
8	STEM SEAL/THRUST WASHER	PTFE	2
9	TAP	PTFE	1
10	O-RING	NBR	1
11	NUT	STEEL CL 04 UNI EN ISO 898	2
12	HEPTAGONAL-SHAPED NUT	STEEL AISI430F	1
13	WASHER	STEEL CL 04 UNI EN 10020	1
14	OBSTRUCTOR	BRASS CW614N UNI EN12164-UNI EN12168	1

SIZE	DN	BOX	MASTER BOX	CODE	MINIMUM VITAL (L/GG)	ØP	I	L	ØH	CH	M	A	H	KV	PN	KG
1/2"	15	15	60	2091040150	150	15	15	75	33	27	57	38,5	55,5	16	64	0,33
1/2"	15	15	60	2091040300	300	15	15	75	33	27	57	38,5	55,5	16	64	0,33
1/2"	15	15	60	2091040600	600	15	15	75	33	27	57	38,5	55,5	16	64	0,33
3/4"	20	10	40	2091050150	150	20	16,3	88,5	39	32	57	40,5	63	29	64	0,46
3/4"	20	10	40	2091050300	300	20	16,3	88,5	39	32	57	40,5	63	29	64	0,46
3/4"	20	10	40	2091050600	600	20	16,3	88,5	39	32	57	40,5	63	29	64	0,46
1"	25	10	20	2091060150	150	25	19,1	96,5	49	38	57	43,5	66,5	42,5	64	0,65
1"	25	10	20	2091060300	300	25	19,1	96,5	49	38	57	43,5	66,5	42,5	64	0,65
1"	25	10	20	2091060600	600	25	19,1	96,5	49	38	57	43,5	66,5	42,5	64	0,65

Disponibili accessori, artt. 6423-5809000RE1-6805000000-6805000001-6805, a pagg. 418-419-420.
- The accessories, items 6423-5809000RE1-6805000000-6805000001-6805, are available. See at pages 418-419-420.

Applications



DRINKING
WATER



MULTIUTILITY ONLY