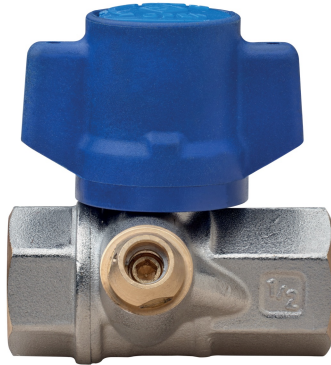


2090 QB

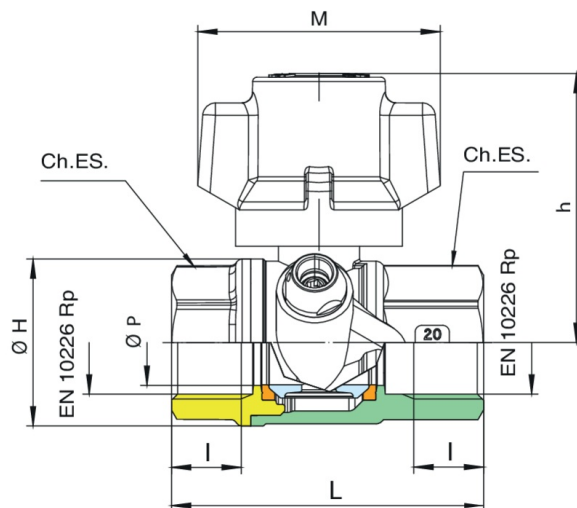


Full bore ball valve for water meter entry, F/F threaded, unidirectional, with anti-tampering T-handle and **heptagonal-shaped stainless steel security nut**, with **minimum vital** water flow device and ball with automatic rinsing system.

NEW



Technical specifications



| SIZE | DN | BOX | MASTER BOX | CODE | MINIMUM VITAL (L/GG) | ØP | I | L | ØH | CH | M | A | H | KV | PN | KG |
|------|----|-----|------------|-------------|----------------------|----|------|------|----|----|----|------|------|------|----|------|
| 1/2" | 15 | 15 | 60 | 2090040151* | 150 | 15 | 15 | 64,5 | 33 | 27 | 57 | 38,5 | 55,5 | 16 | 64 | 0,30 |
| 1/2" | 15 | 15 | 60 | 2090040301* | 300 | 15 | 15 | 64,5 | 33 | 27 | 57 | 38,5 | 55,5 | 16 | 64 | 0,30 |
| 1/2" | 15 | 15 | 60 | 2090040601* | 600 | 15 | 15 | 64,5 | 33 | 27 | 57 | 38,5 | 55,5 | 16 | 64 | 0,30 |
| 3/4" | 20 | 10 | 40 | 2090050151* | 150 | 20 | 16,3 | 73 | 39 | 32 | 57 | 40,5 | 63 | 29 | 64 | 0,41 |
| 3/4" | 20 | 10 | 40 | 2090050301* | 300 | 20 | 16,3 | 73 | 39 | 32 | 57 | 40,5 | 63 | 29 | 64 | 0,41 |
| 3/4" | 20 | 10 | 40 | 2090050601* | 600 | 20 | 16,3 | 73 | 39 | 32 | 57 | 40,5 | 63 | 29 | 64 | 0,41 |
| 1" | 25 | 10 | 20 | 2090060151* | 150 | 25 | 19,1 | 85 | 49 | 38 | 57 | 43,5 | 66,5 | 42,5 | 64 | 0,60 |
| 1" | 25 | 10 | 20 | 2090060301* | 300 | 25 | 19,1 | 85 | 49 | 38 | 57 | 43,5 | 66,5 | 42,5 | 64 | 0,60 |
| 1" | 25 | 10 | 20 | 2090060601* | 600 | 25 | 19,1 | 85 | 49 | 38 | 57 | 43,5 | 66,5 | 42,5 | 64 | 0,60 |

*Version with heptagonal-shaped stainless steel security nut.

Applications



DRINKING
WATER



MULTIUTILITY ONLY