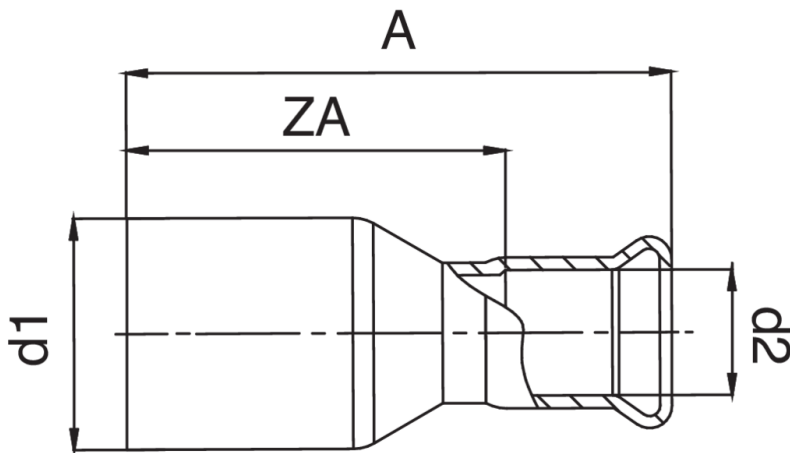


Technical specifications



D1 X D2	BAG	MASTER BOX	CODE	L	Z
76.1 x 42	1	20	AC0243076042000	149,5	108,5
76.1 x 54	1	5	AC0243076054000	152,5	107,5
88.9 x 54	1	16	AC0243089054000	194	149
108 x 54	1	8	AC0243108054000	260	215

Applications



HEATING



HVAC



COMPRESSED
AIR