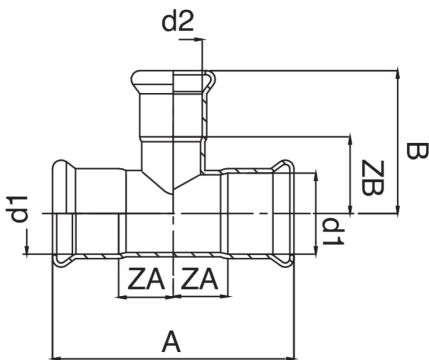




## Technical specifications



| D1 X D2 X D1         | BAG | MASTER BOX | CODE            | A   | B     | ZA | ZB   |
|----------------------|-----|------------|-----------------|-----|-------|----|------|
| 88,9" x 76,1 x 88,9" | 1   | 5          | AC0131089076089 | 272 | 128   | 76 | 73   |
| 108" x 76,1 x 108"   | 1   | 2          | AC0131108076108 | 324 | 137,5 | 92 | 82,5 |
| 108" x 88,9 x 108"   | 1   | 2          | AC0131108089108 | 324 | 142,5 | 92 | 82,5 |

## Applications



HEATING



HVAC



COMPRESSED  
AIR