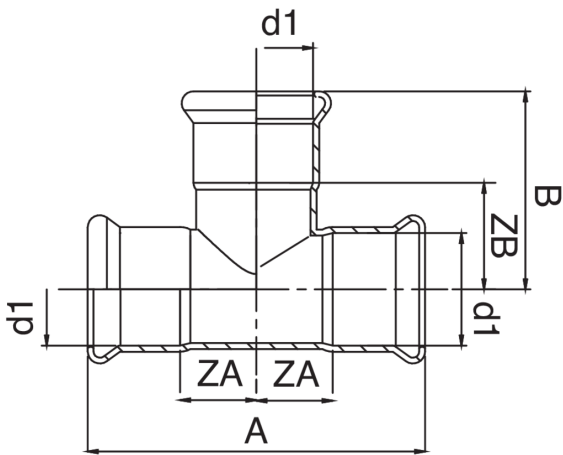


Technical specifications



D1	BAG	MASTER BOX	CODE	A	B	ZA	ZB
76,1"	1	5	AC0130076076076	242	121,5	66	66,5
88,9"	1	4	AC0130089089089	272	133	76	73
108"	1	1	AC0130108108108	324	165	92	95

Applications



HEATING



HVAC



COMPRESSED
AIR