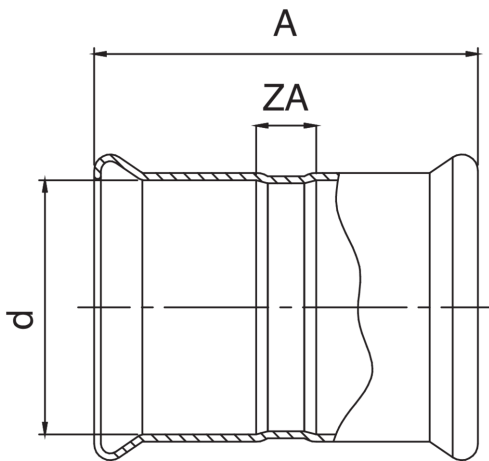


## Technical specifications



D	BAG	MASTER BOX	CODE	A	ZA
76,1"	1	10	AC0270076076000	152	50
88,9"	1	5	AC0270089089000	175	54
108"	1	5	AC0270108108000	204	66

## Applications



HEATING



HVAC



COMPRESSED  
AIR