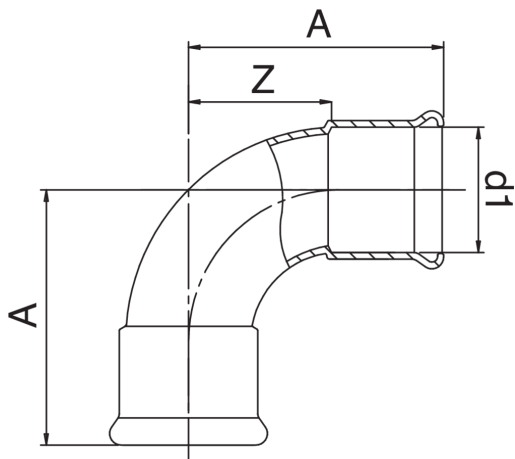




## Technical specifications



D1	BAG	MASTER BOX	CODE	A	Z
76,1"	1	4	AC0002076076000	146	91
88,9"	1	4	AC0002089089000	167	107
108"	1	2	AC0002108108000	200	130

## Applications



HEATING



HVAC



COMPRESSED  
AIR