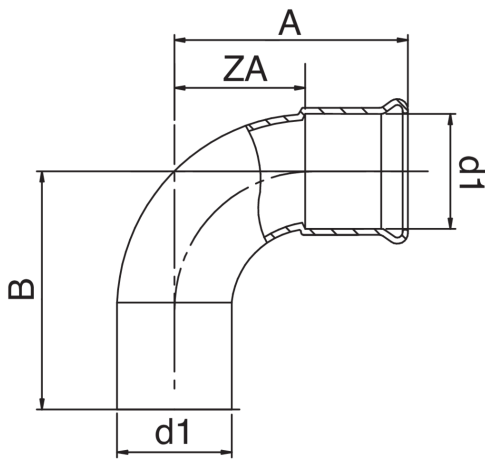




Technical specifications



D1	BAG	MASTER BOX	CODE	A	B	ZA
76,1"	1	6	AC0001076076000	146	157	91
88,9"	1	4	AC0001089089000	167	178	107
108"	1	2	AC0001108108000	200	212	130

Applications



HEATING



HVAC



COMPRESSED
AIR