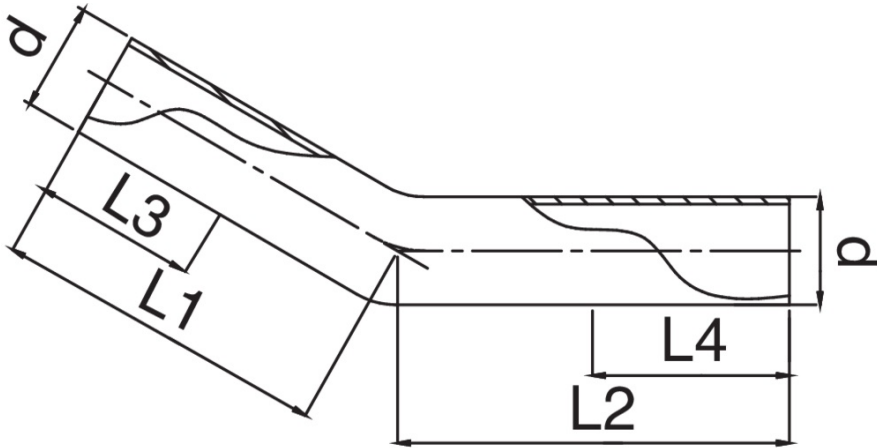




M/M 30° bend.

Technical specifications



| D | BAG | MASTER BOX | CODE | L1 | L2 | L3 MIN | L4 MIN |
|----|-----|------------|-----------------|-----|-----|--------|--------|
| 15 | 5 | 100 | ZX0030015015000 | 60 | 122 | 25 | 25 |
| 18 | 10 | 100 | ZX0030018018000 | 55 | 128 | 25 | 25 |
| 22 | 5 | 100 | ZX0030022022000 | 50 | 124 | 30 | 30 |
| 28 | 5 | 20 | ZX0030028028000 | 54 | 130 | 30 | 30 |
| 35 | 5 | 15 | ZX0030035035000 | 80 | 218 | 30 | 30 |
| 42 | 2 | 10 | ZX0030042042000 | 98 | 274 | 45 | 45 |
| 54 | 2 | 10 | ZX0030054054000 | 137 | 324 | 65 | 65 |

Applications



DRINKING
WATER



HEATING



HVAC



COMPRESSED
AIR



FIREFIGHTING



MARINE



STEAM



SOLAR



INDUSTRIAL