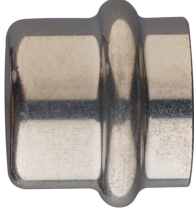
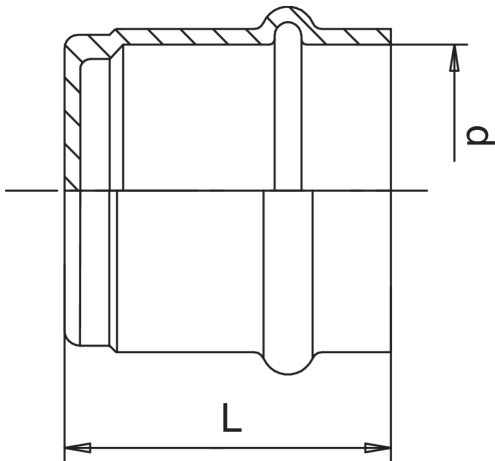


F plug.



## Technical specifications



D	BAG	MASTER BOX	CODE	L
15	10	200	ZX0302015000000	25
18	10	150	ZX0302018000000	26
22	10	100	ZX0302022000000	27
28	10	100	ZX0302028000000	28
35	5	40	ZX0302035000000	44
42	5	20	ZX0302042000000	54
54	1	30	ZX0302054000000	63

The big-size, item AX0302, is available.

## Applications



DRINKING  
WATER



HEATING



HVAC



COMPRESSED  
AIR



FIREFIGHTING



MARINE



STEAM



SOLAR



INDUSTRIAL