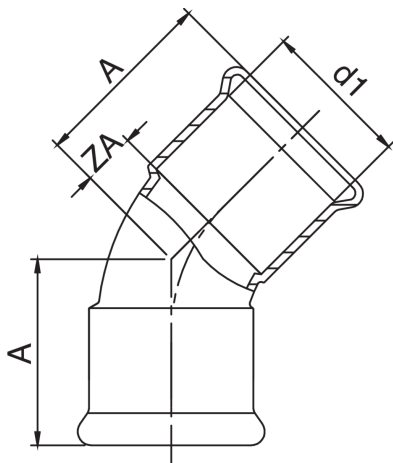




Technical specifications



D1	BAG	MASTER BOX	CODE	A	ZA
76,1*	1	5	AX0041076076000	98	43
88,9*	1	6	AX0041089089000	112	49
108*	1	2	AX0041108108000	138	61

Applications

