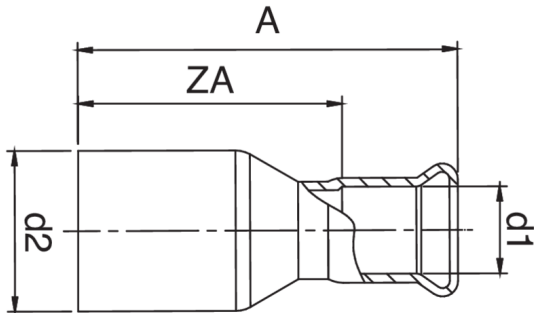


Technical specifications



D1 X D2	BAG	MASTER BOX	CODE	A	ZA
76,1 x 35*	1	10	ZM9243076035000	96	46
76,1 x 42*	1	10	ZM9243076042000	98	47
76,1 x 54*	1	5	ZM9243076054000	107	53
108 x 42*	1	8	ZM9243108042000	128	73
108 x 54*	1	8	ZM9243108054000	129	74

Applications



DRINKING
WATER



HEATING



HVAC



GAS



COMPRESSED
AIR



FIREFIGHTING