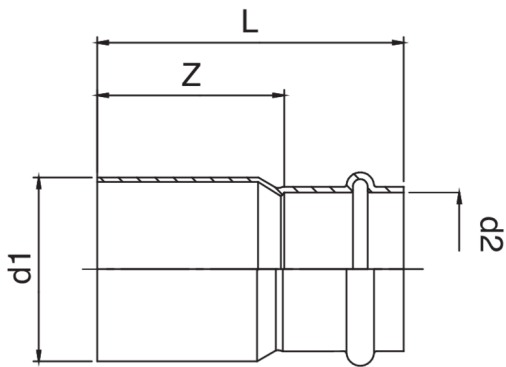




Technical specifications



D1 X D2	BAG	MASTER BOX	CODE	L	Z
76.1 x 54*	1	5	RR9243076054000	146	106
88.9 x 54*	1	5	RR9243089054000	190	150
108 x 54*	1	5	RR9243108054000	253	213

Applications



DRINKING
WATER



HEATING



HVAC



GAS



COMPRESSED
AIR



FIREFIGHTING