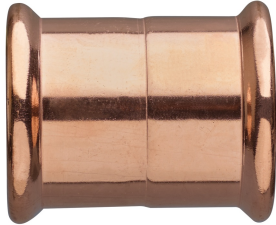
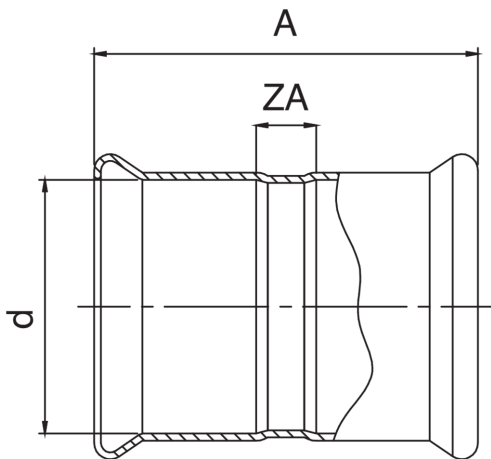


Copper F/F coupling.



Technical specifications



D	BAG	MASTER BOX	CODE	A	ZA
76,1*	1	12	RR9270076076000	154	54
88,9*	1	10	RR9270089089000	173	53
108*	1	1	RR9270108108000	204	64

Applications



DRINKING
 WATER



HEATING



HVAC



GAS



COMPRESSED
 AIR



FIREFIGHTING