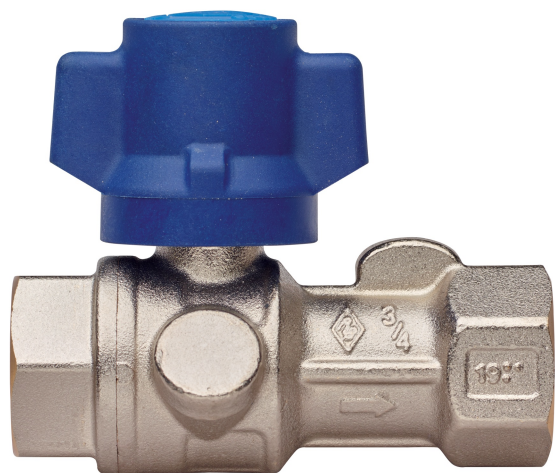


BUBBLE-SFER

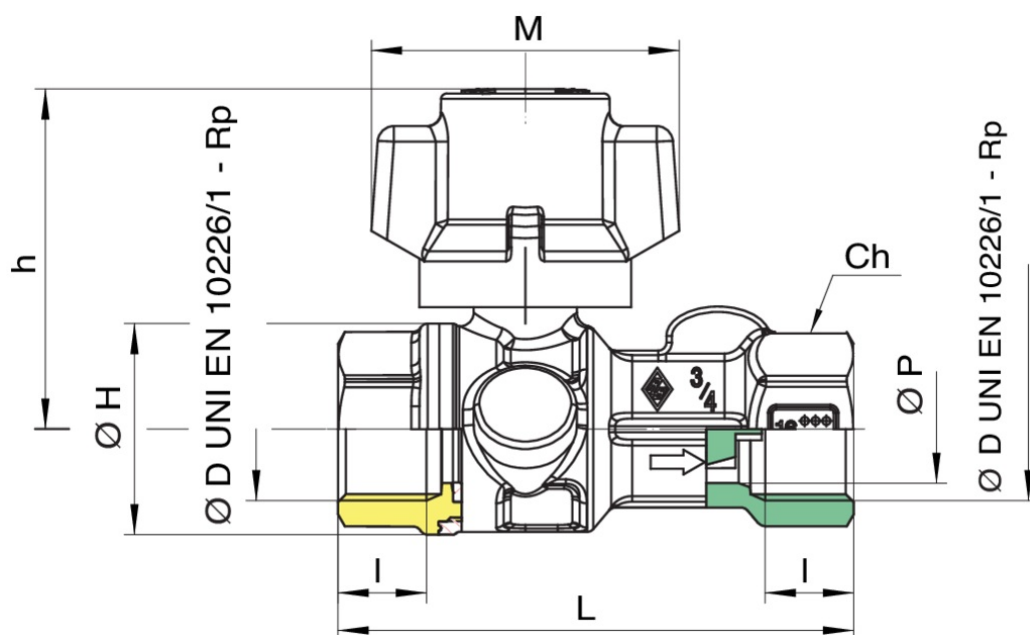
6709



Water full bore ball valve for meter exit, threaded F/F, check valve incorporated, with anti-tampering T-handle, without pressure measurement connections and **heptagonal-shaped stainless steel security nut**, ball with automatic rinsing system.



Technical specifications



SIZE	DN	BOX	MASTER BOX	CODE	ØP	I	L	ØH	CH	M	H	H1	KV	PN	KG
1/2"	15	10	40	6709040001*	15	15	80,5	33	27	57	55,5	-	4,6	64	0,33
3/4"	20	10	40	6709050001*	20	16,3	95	39	32	57	63	-	8,8	64	0,48
1"	25	10	20	6709060001*	25	19,1	110,5	49	38	57	66,5	-	15	64	0,70

*Version with heptagonal-shaped stainless steel security nut.

Applications



DRINKING
WATER



MULTIUTILITY ONLY