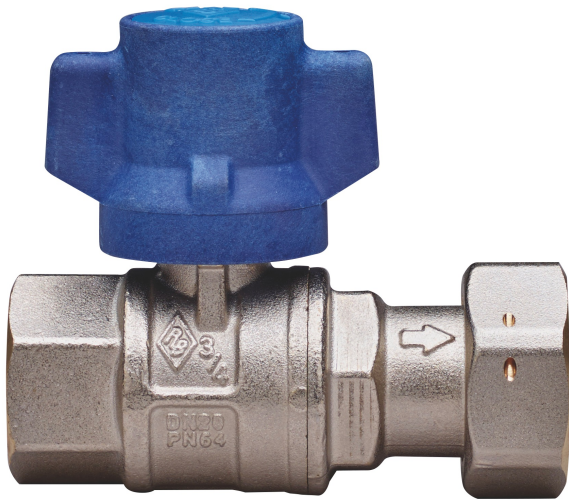


BUBBLE-SFER

2099

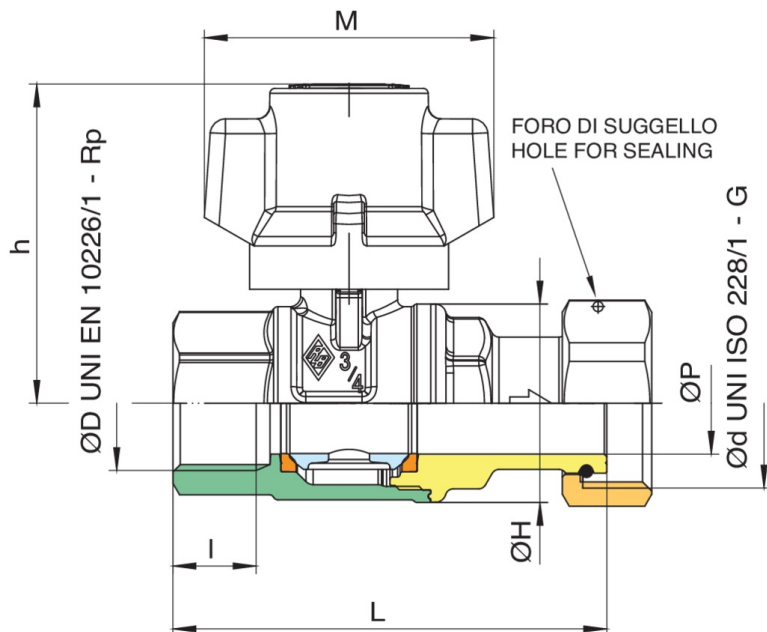
PATENTED



Full bore ball valve for water meter entry, Female threaded/nut connection, with anti-tampering T-handle and **heptagonal-shaped stainless steel security nut**, ball with automatic rinsing system.



Technical specifications



ØD X ØD	BOX	MASTER BOX	CODE	ØP	I	ØH	L	H	M	KV	PN	KG
1/2" x 3/4"	10	40	2099260001*	15	15	33	75	55,5	57	16,3	64	0,32
3/4" x 1"	10	20	2099580001*	20	16,3	39	85	63	57	29,5	64	0,46

*Version with heptagonal-shaped stainless steel security nut.

Applications



DRINKING
WATER



MULTIUTILITY ONLY