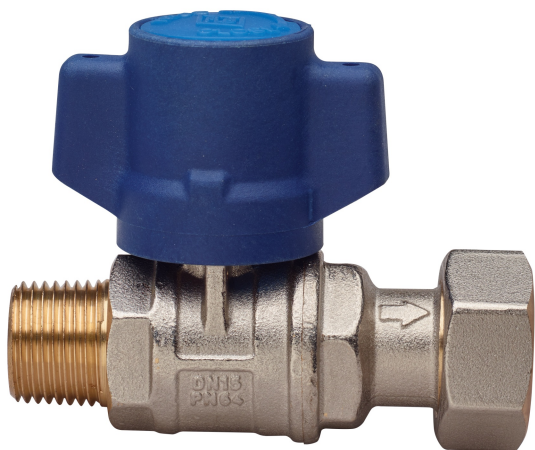


## BUBBLE-SFER

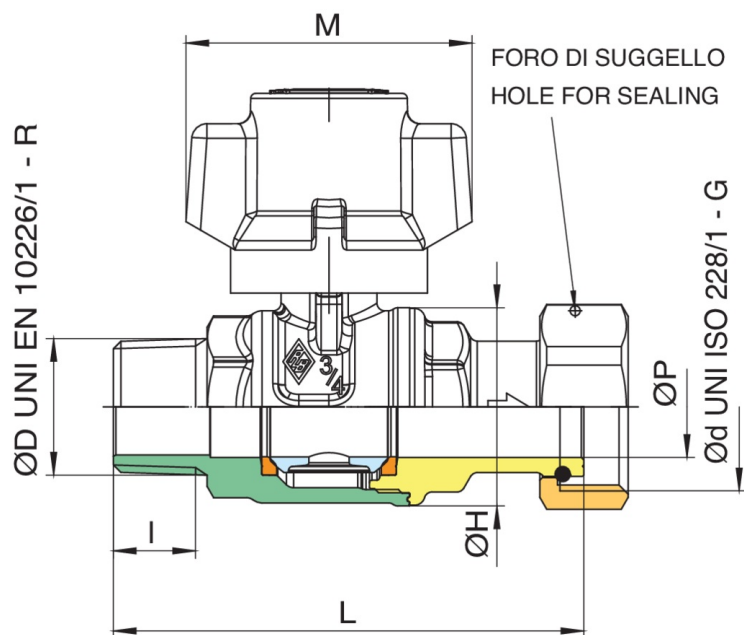
### 2098



Full bore ball valve for water meter entry, Male threaded/nut connection, with anti-tampering T-handle and **stainless steel security nut**, ball with automatic rinsing system.



### Technical specifications



ØD X ØD	BOX	MASTER BOX	CODE	ØP	I	ØH	L	H	M	KV	PN	KG
1/2" x 3/4"	10	40	2098260001*	15	15	33	79	55,5	57	16,3	64	0,31
3/4" x 1"	10	20	2098580001*	20	16,3	39	93,5	63	57	29,5	64	0,48

\*Version with heptagonal-shaped stainless steel security nut.

## Applications



DRINKING  
WATER



MULTIUTILITY ONLY