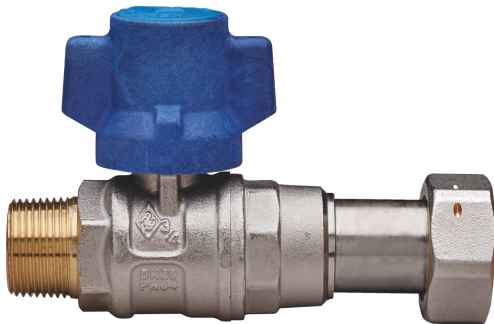


## BUBBLE-SFER

### 2096

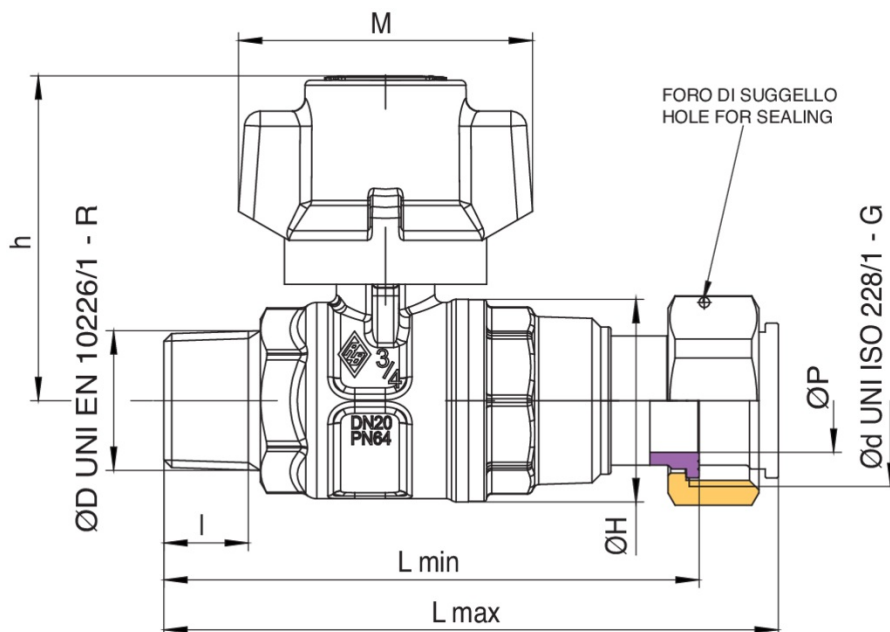
### PATENTED



Full bore ball valve for water meter entry, Male threaded/telescopic fitting, with anti-tampering T-handle and **heptagonal-shaped stainless steel security nut**, ball with automatic rinsing system.



## Technical specifications



ØD X ØD	BOX	MASTER BOX	CODE	ØP	I	ØH	L MIN	L MAX	H	M	KV	PN	KG
1/2" x 3/4"	10	40	2096260001	15	15	33	91,5	105	55,5	57	16,3	64	0,34
3/4" x 1"	10	20	2096580001	20	16,3	39	103	118,5	66,5	57	29,5	64	0,53

\*Version with heptagonal-shaped stainless steel security nut.

# Applications

---



DRINKING  
WATER



MULTIUTILITY ONLY