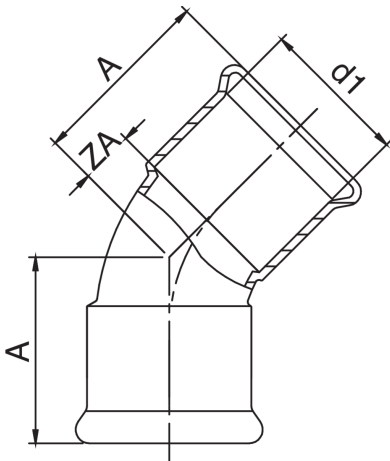


Copper F/F 45° elbow.



Technical specifications



D1	BAG	MASTER BOX	CODE	A	ZA
76,1*	1	10	RR9041076076000	93	38
88,9*	1	4	RR9041089089000	104	44
108*	1	2	RR9041108108000	124	64

Applications



DRINKING
WATER



HEATING



HVAC



GAS



COMPRESSED
AIR



FIREFIGHTING