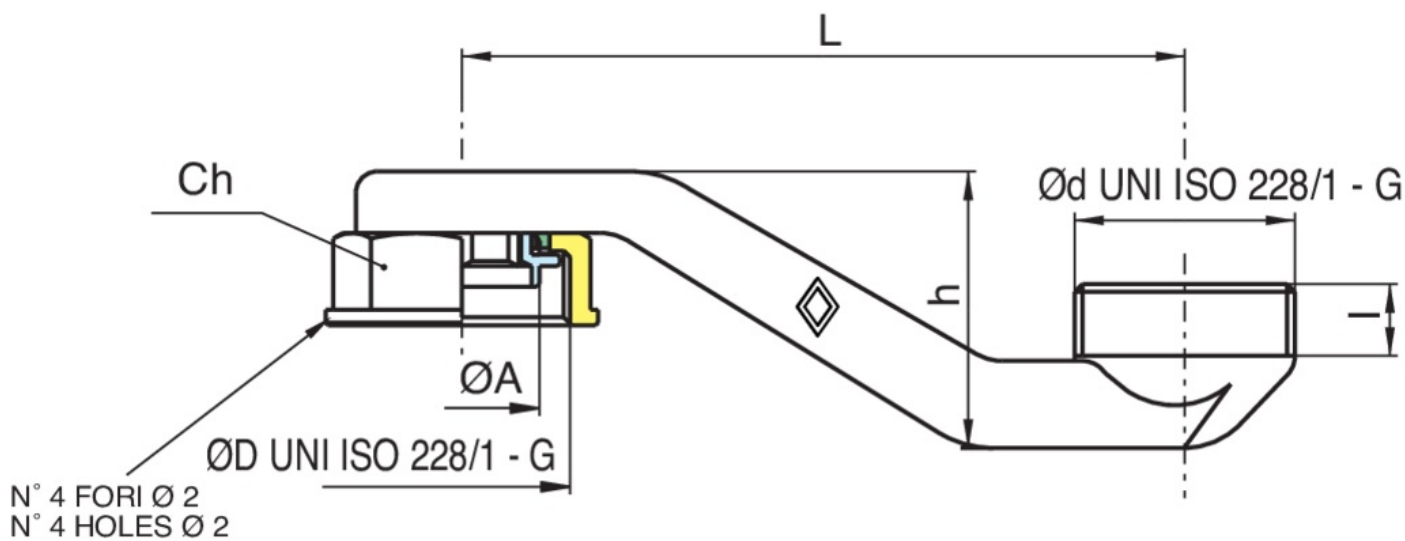


9463

Adapter for gas meter (110-250 mm center distance).



Technical specifications



ØDXØD	BOX	MASTER BOX	CODE	ØA	CH	I	L	H
1"1/4x1"1/4	15	30	9463350000	30,5	46	14	140	54

Applications



