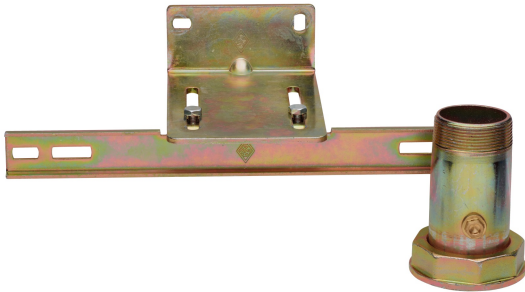


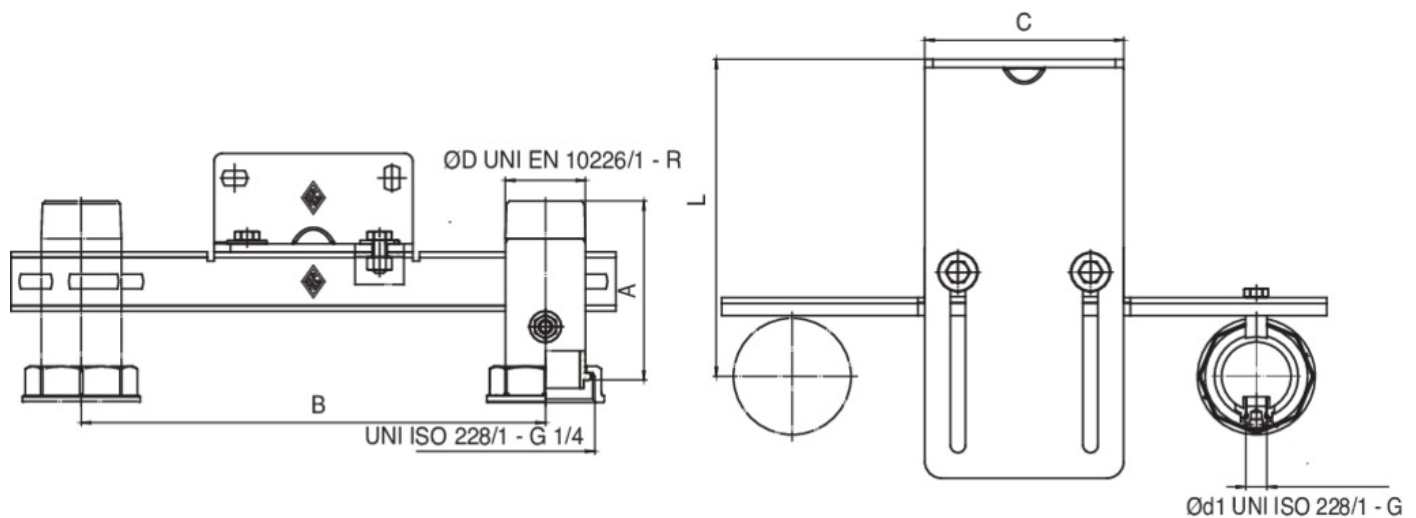
9F33



Steel cross beam, with threaded UNI EN10226/1 union and UNI ISO 228/1 G 1/4" pressure measurement connection, adjustable fixing plate for gas meter G10-G16-G25.



Technical specifications



ØD X ØD	MASTER BOX	CODE	A	B	C	L MIN	L MAX	KG
1"1/2 x 2"	5	9F33690001	109	280	120	195	305	2,45
2" x 2"1/2	5	9F33700000	109	335	120	195	305	2,78

Applications



GAS

