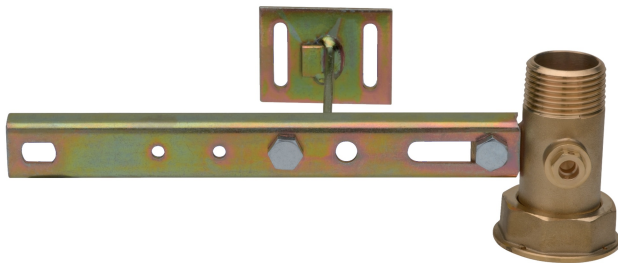


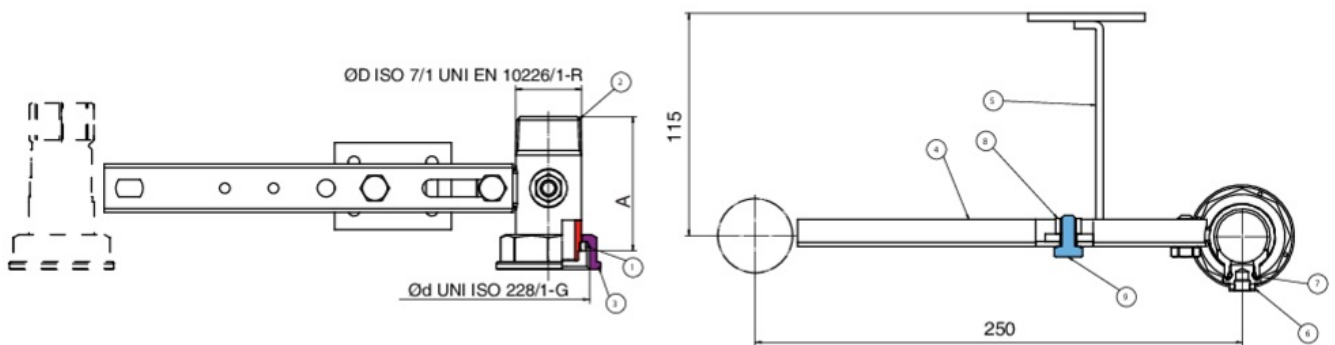
9F48



Steel cross beam, center distance 250 mm, with threaded EN 10226-1 union tail and pressure measurement connection, fixing plate h.115 for raw plugs.



Technical specifications



ØD X ØD	MASTER BOX	CODE	A
1" x 1"1/4	25	9F48290000	69,5

Applications



GAS

